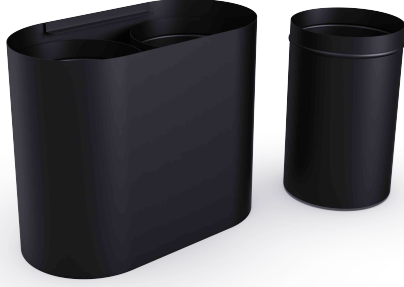




LIKEN is a model developed especially for hotel rooms, under tables, small convention rooms. It is presented in two sections for sorting waste with its minimal design . It has three different models.

Features



Liken S

Two-compartment waste bin. Its body is made of metal or leather material, its lid and inner buckets are made of powder coated steel. Inner buckets are cylindrical. On the lid, the type of waste is indicated in English and Turkish with text and a recycling icon.

Liken R

The product can be used by attaching (optional) garbage bag to the openings in the body of two different compartments in the product. The product can be used by attaching (optional) garbage bag to the openings in the body of two different compartments in the product.



Liken C

Two-compartment rectangle waste bin. Its body is made of metal or leather material, its lid and inner buckets are made of powder coated steel. Inner buckets are in the form of square. On the lid, the type of waste is indicated in English and Turkish with text and a recycling icon.



Metal and fast renewable natural bamboo material is used in its design, which can be reused many times. It is designed in such a way that minimal waste and wastage occur in its production. It is environmentally friendly. LIKEN design is unique. Designed by industrial product designer Yasemin Köse and Elif Kadayif for ROKA Design. The design of Liken products is registered under Turkish patent and trademark office.

To create an order;

1. Determine the material.
2. Identify the waste labels to be found on the product.

Material Selection

Powder
Coated Steel



Leathered
Covered Metal



Color Selection



Black



Label Selection



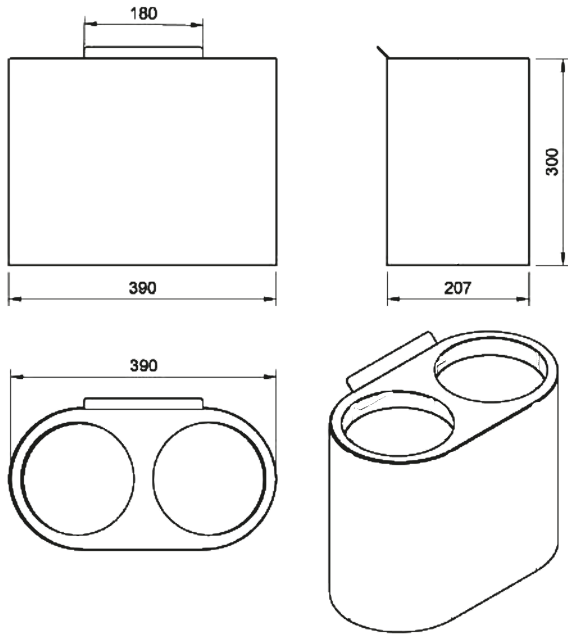
Product Codes

Product	Powder Coated Steel
Liken S Duo	RLK13-201-01
Liken R Duo	RLK13-201-02

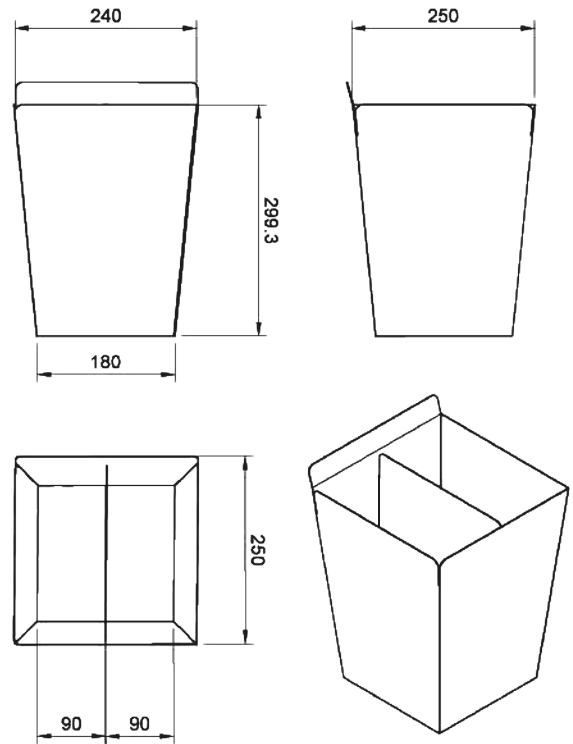
Body Color Codes

Black	Ral 9005 Matte Fat
Gray Brown	Ral 8019 Matte Flat

Liken S



Liken C



Liken R

